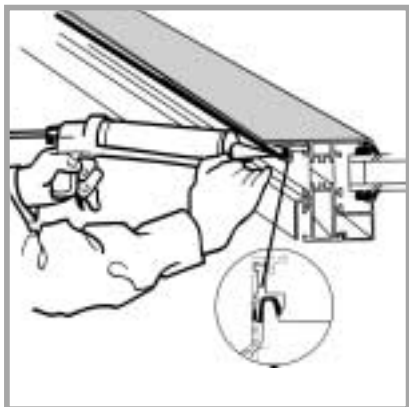
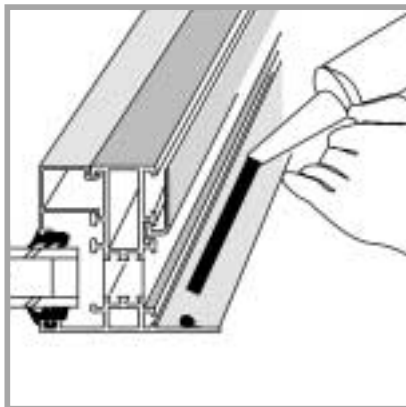


# Instructions for installation of Aluman-IFS windows into Paroc elements - simultaneous installation of windows and panels

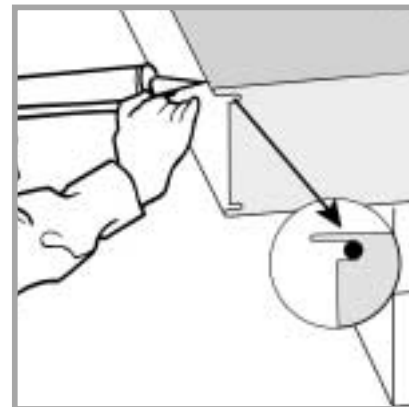
1



**1** Fill the U-profile on the lower edge of the window with sealing compound.



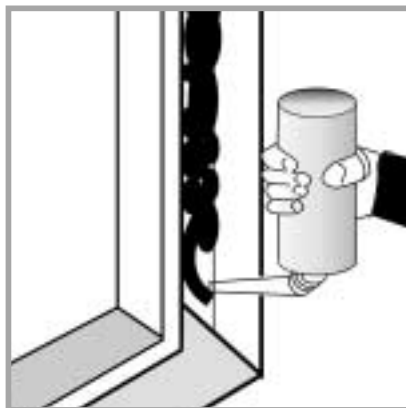
**2** Apply sealing compound on the flanges of the window frame, or directly on the panels.



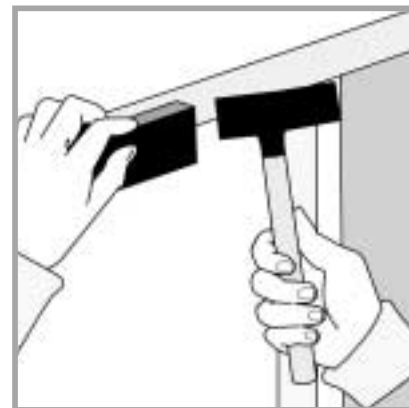
**3** Apply sealing compound into the panel groove where the upper flange of the window pushes in.



**4** Lift the window to its position.



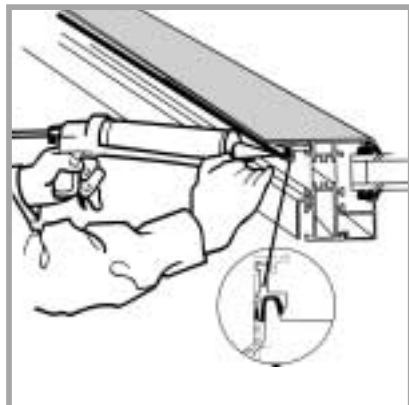
**5** Inject foam between the frame and the panels.



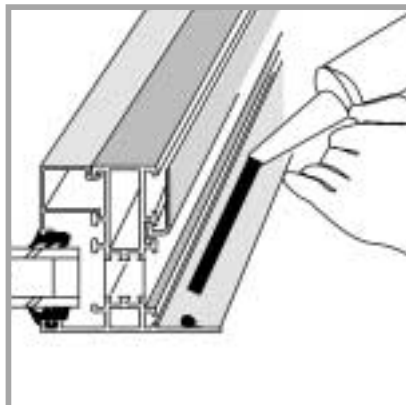
**6** Tap the inner flanges to their place. Note: Always use a shock damper, for example, a piece of wood.

**ALUMAN**®  
www.aluman-ifs.com

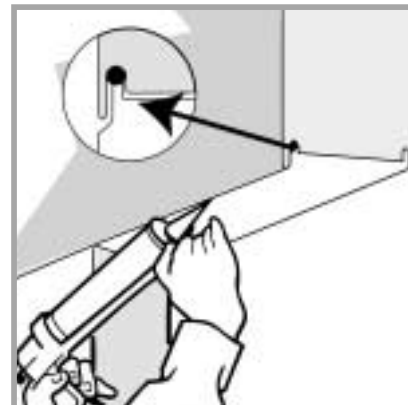
Aluman AB  
Snickarvägen 3  
SE-915 34 Ånäset Sweden  
Tel +46 934-202 40 Fax +46 934-202 49  
[sales@aluman.se](mailto:sales@aluman.se)  
[www.aluman.se](http://www.aluman.se)



**1** Fill the U-profile on the lower edge of the window with sealing compound.



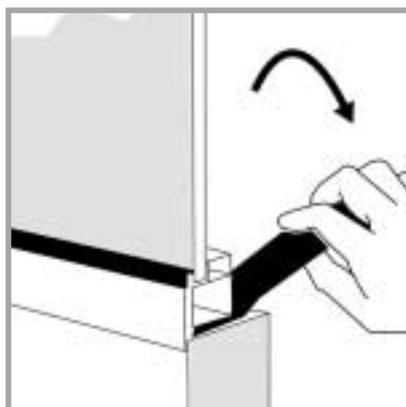
**2** Apply sealing compound on the flanges of the window frame, or directly on the panels.



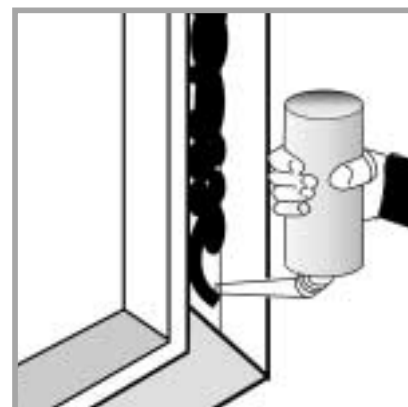
**3** Apply sealing compound into the panel groove where the upper flange of the window pushes in.



**4** Lift the window to its position.



**5** By using a lever, press the window frame upwards from the inside into the panel groove above, while pressing the window inwards from the outside.



**6** Inject foam between the frame and the panel.



**7** Tap the inner flanges to their place. Note: Always use a shock damper, for example, a piece of wood.

**ALUMAN**<sup>®</sup>  
[www.aluman-ifs.com](http://www.aluman-ifs.com)

Aluman AB  
Snickarvägen 3  
SE-915 34 Änåset Sweden  
Tel +46 934-202 40 Fax +46 934-202 49  
[sales@aluman.se](mailto:sales@aluman.se)  
[www.aluman.se](http://www.aluman.se)

